





rotork

SITE C - INWANDER

NO PARKING



White truck with logo and text on the side.

SITE C - IMMEDIATE

NO PARKING  
NO STOPPING  
NO WAITING

No parking sign

SITE COMMANDER



Site Commander's server is custom, heavy duty and built to last through active construction zones. The unit itself weighs 220 pounds and is immobile once placed as custom handles are retrofitted only in the transport process.

The server boasts a 8 core CPU, 5 2TB harddrives for storage capacity and 16gb of ram. The CPU and other components are fully upgradeable. The server also has two display ports as well as multiple USB options.

## SC-SERVER FEATURES

- ▲ Digital Display
- ▲ Automatic events notification via Email
- ▲ L530 Amp power requirement
- ▲ Web-managed system
- ▲ Rugged, industrial grade housing

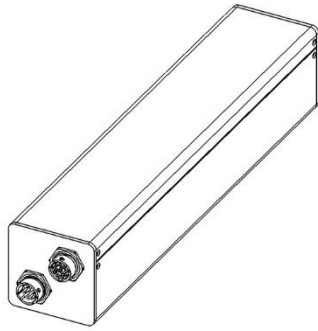
SITE COMMANDER



SITE COMMANDER



- Rugged, durable and custom built aluminum enclosure for active areas
- Upgradeable 8 CORE CPU
- 16GB of interchangeable ram
- Five 2TB Harddrives with customization options
- Web-enabled user interface for summaries, reports and live monitoring
- 2X Battery Backup with 2 hours uptime in summer power outage, 1 hour in winter
- Internal fans and filters purposed for a rugged environment
- Retro-fitted custom handles for transportation purposes
- 4X trunk connectors with configuration via web-controlled PDU
- Generator mode PSU for clean generator power



**SC-CAPSULE FEATURES**

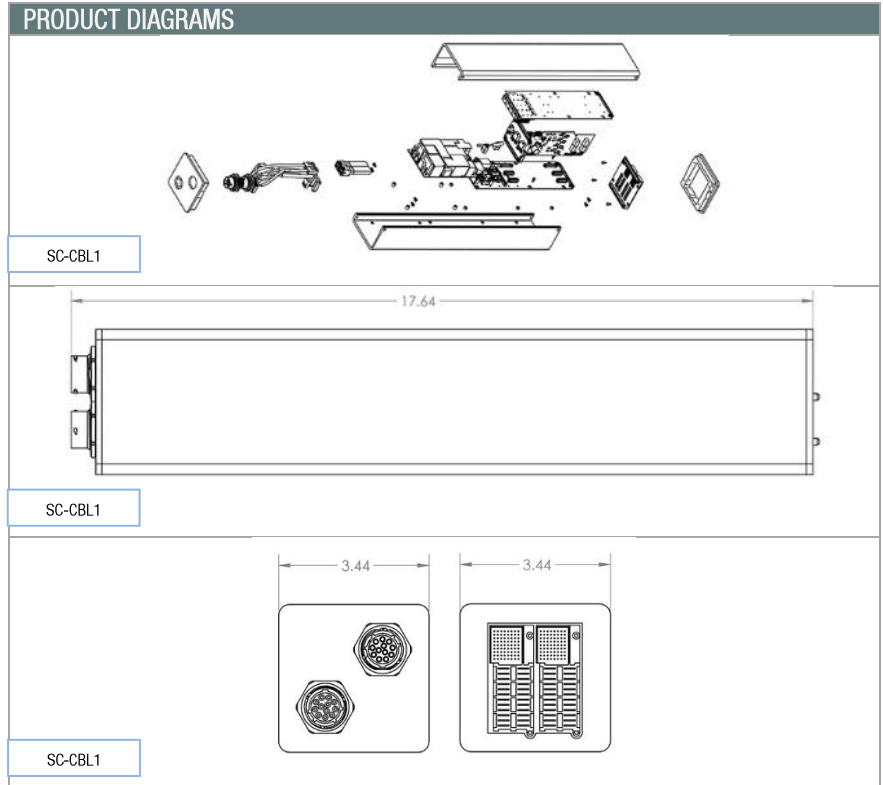
- ▲ Interchangeable, long-lasting
- ▲ Customizable
- ▲ Durable outer shield
- ▲ Extreme weather protection
- ▲ Full power and/or Ethernet capabilities

**PRODUCT DESCRIPTION**

Capsules provide managed gigabit networking connectivity to all attached devices, along with power over Ethernet and optional 12DC, 25DC or 48V DC.

They also have built-in accelerometers to automatically detect movement and tampering within the security tower.

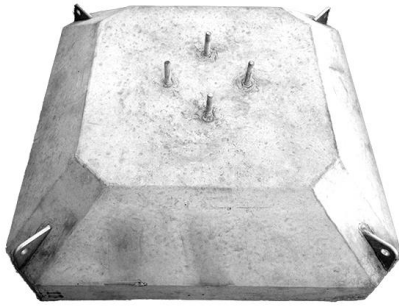
**PRODUCT DIAGRAMS**



SC-CBL1

SC-CBL1

SC-CBL1



### SC-BASE FEATURES

- ▲ Embedded mounts for security tower
- ▲ Easy deploying with chain hooks
- ▲ Rugged construction for active worksites
- ▲ Extreme weather protection
- ▲ 3 year warranty

### PRODUCT DESCRIPTION

The SC-Base is a 500kg weighted base built specifically for Site Commander's security towers.

The SC-Base is built with solid concrete and rebar from custom molds, which is then hoisted into place by skid steer.

### BASE INSTALLATION WITH SKID STEER

1. Base connected via chains



2. Base maneuvered in position



3. Tower deployment



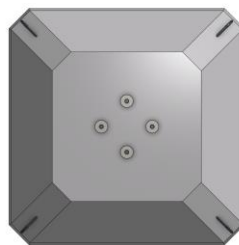
4. Installed tower



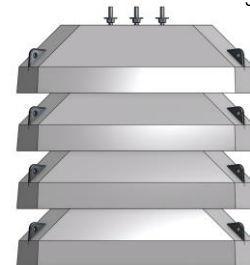
13 in / 33.02 cm



45.875 in / 116.5 cm



52 in / 132 cm





### SC-CABLE FEATURES

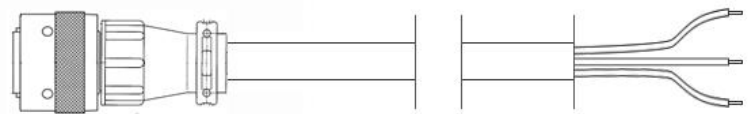
- ▲ Interchangeable, long-lasting
- ▲ Customizable
- ▲ Durable outer layer
- ▲ Extreme weather protection
- ▲ Full power and/or Ethernet capabilities

### PRODUCT DESCRIPTION

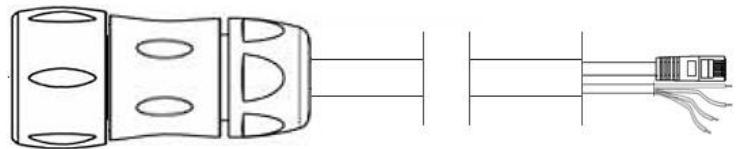
The SC Device Cable is built to last in harsh, hazardous conditions. It sports a durable outer layer meant for the most active areas.

Our device cable is also weather proof and the innards can be interchangeable as per the customer's request.

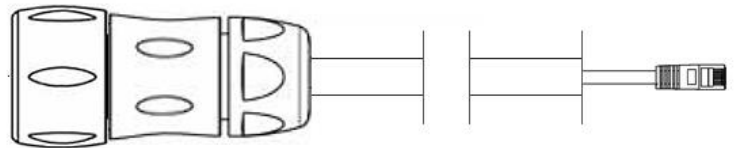
### PRODUCT DIAGRAMS



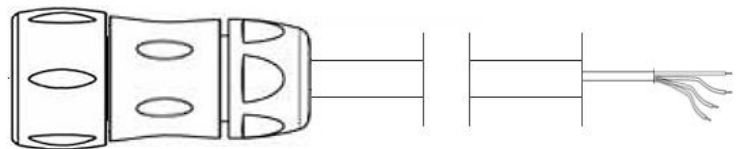
SC-CBL1



SC-CBL2



SC-CBL3



SC-CBL4



STOP

SITE C - MMANDER

Weyerhaeuser  
EDGE GOLD  
Weyerhaeuser  
EDGE GOLD  
Weyerhaeuser  
EDGE GOLD





SITE COMMANDER

